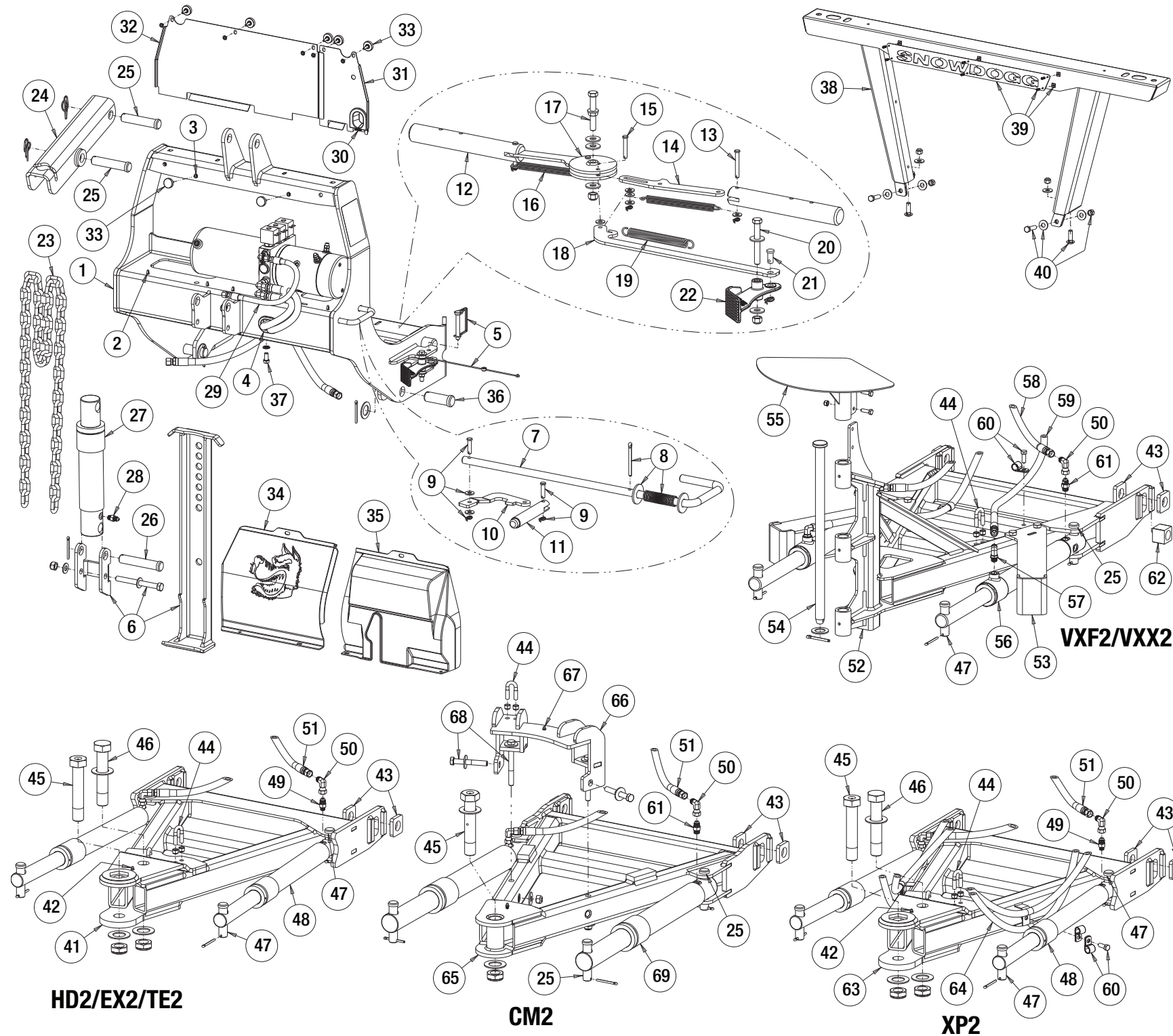


HDII/EXII/TEII/VXFII/VXXII/CMII/XPII SERIES

with **RAPIDLINK™**
REPLACEMENT PARTS



LIFT FRAMES and A-FRAMES



ITEM	PART NO.	DESCRIPTION
	16011006	HD2/EX2 RapidLink Lift Frame Assembly
	16011026	HD2/EX2 RapidLink Central Hyd Lift Frame
	16012006	TE2 RapidLink Lift Frame Assembly
	16012026	TE2 RapidLink Central Hyd Lift Frame
	16013006	VXF2 RapidLink Lift Frame Assembly
	16013106	VXX2 RapidLink Lift Frame Assembly
	16017006	CM2 RapidLink Lift Frame Assembly
	16017026	CM2 RapidLink Central Hyd Lift Frame
	16019006	XP2 RapidLink Lift Frame Assembly
ACC	16150010	Hydraulic Fluid, Low Temp, 1 Case (12 QTS)
LIFT FRAME	1	16110105 Lift Frame Assembly, EX2 RapidLink
		16111619 Lift Frame Weldment, EX2 RapidLink
	2	16101023 Rivet Kit, Push-In (Set of 4)
	3	16101024 Rivet Nut, 10-24 (Set of 2)
	4	16152144 Grommet, 1-3/4in Hole, .188in Thick
	5	16111124 Snapper Pin, 2-1/2in with Lanyard
	6	16111182 Drop Foot Kit, EX2 RapidLink
	7	16111176 Handle, Drop Foot
	8	16111174 Spring, Drop Foot with Hardware
	9	16111166 Clevis Pin Kit, 1/4in x 1in
	10	16101244 Cotter Pin, Locking, 1/4in
	11	16111184 Linkage, Drop Foot EX2 RapidLink
	12	16111180 Pin, Drop Foot
	13	16111102 Lock Pin, EX2
	14	16102146 Clevis Pin Kit, 1/4in x 1-7/8in
	15	16101244 Cotter Pin, Locking, 1/4in
	16	16111186 Linkage, Lock Pin, EX2 RapidLink
	17	16111126 Clevis Pin Kit, 1/4in x 1-1/2in
	18	16101244 Cotter Pin, Locking, 1/4in
	19	16111170 Spring, Retract, RapidLink
	20	16111138 Cam, Center Linkage, RapidLink
	21	16111188 Linkage, Pedal, EX2 RapidLink
	22	16111172 Spring, Extend, RapidLink
	23	16111132 Screw Kit, Pedal Pivot
	24	16111146 Clevis Pin Kit, Pedal Linkage
	25	16101246 Cotter Pin, Locking, 3/8in
	26	16111113 Foot Pedal, Cast
	27	16103010A Chain, 5/16in Grade 70, 54 Links
	28	16112410 Chain Lift, G2 RapidLink
	29	16102122 Clevis Pin Kit, 7/8in x 4in
	30	16101250 Cotter Pin, Locking, 7/8in
	31	16102199 Clevis Pin Kit, 7/8in x 4-1/2in
	32	16154200 Cylinder, 2in x 6in Polypack
	33	16154206 Cylinder Gland Nut, 2in Polypack
	34	16151325 Connector, -4 SAEM/JICM
	35	16153100 Hose, 1/4in x 18in, -4 JIC
	36	16160420 Harness Grommet
37	16152132A Rear Panel, HPU DS	
	16152135 Rear Panel, HPU PS, Straight	
	16152134 Rear Panel, HPU PS, Vee/XP	
38	16152126 Panel Thumb Screw Kit	
39	16152140 Enclosure, HPU PS	
40	16152138 Enclosure, HPU DS, Straight/Vee	
41	16152139 Enclosure, HPU DS, XP	
42	16111156 Clevis Pin Kit, A-Frame to Lift Frame	
43	16111130 Mount Kit, HPU	

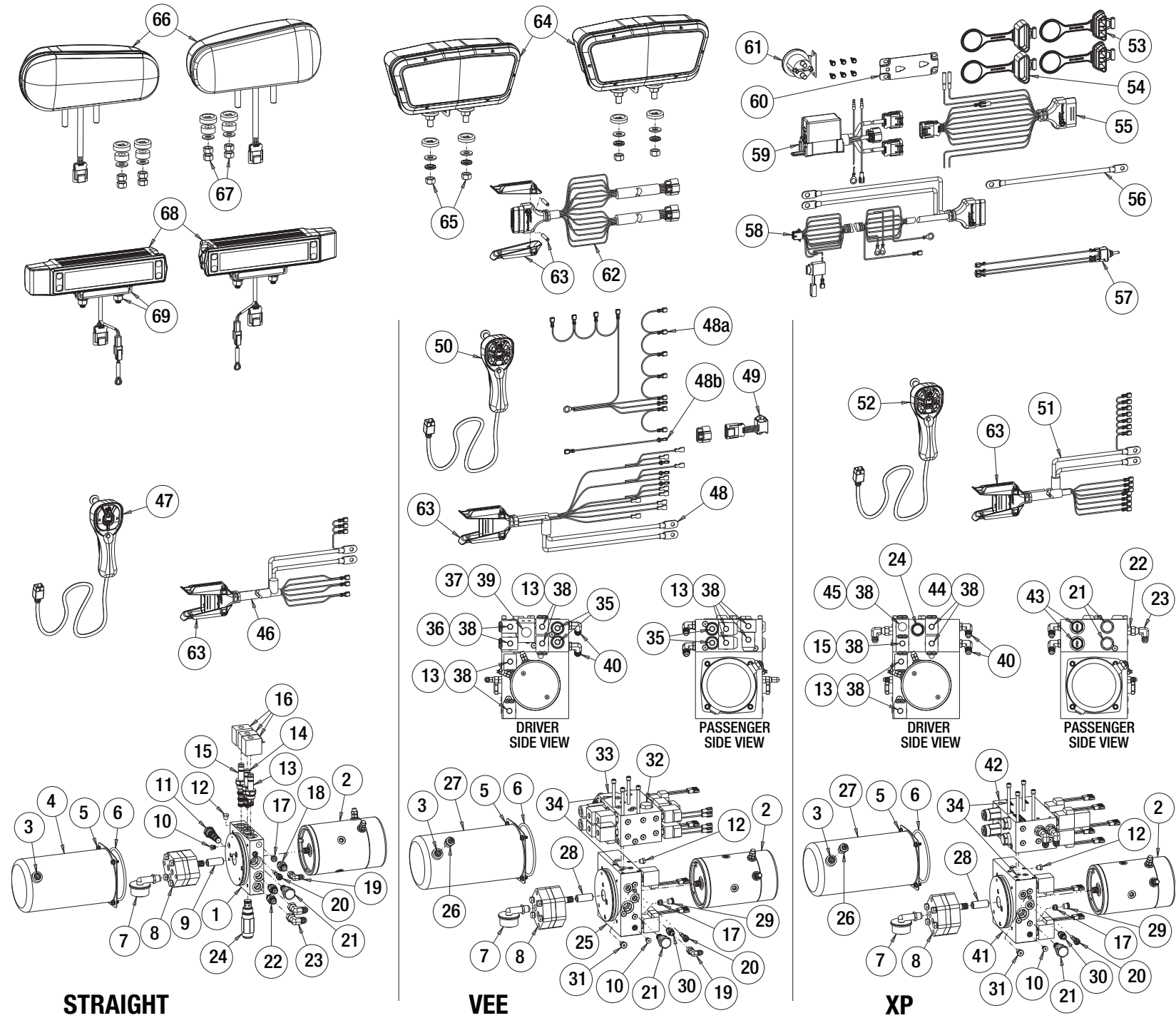
ITEM	PART NO.	DESCRIPTION
LIGHT BAR	38	16111640 Light Bar, G2 2019+
		16111642 Light Bar, VXX G2
	39	16111636 Logo Plate with Hardware
	40	16111520 Light Bar Fastener Kit
HD2/EX2/TE2 A-FRAME	41	16111206 A-Frame, HD2/EX2/TE2, RapidLink
	42	16101516 Grease Fitting, 1/4in-28 Threaded
	43	16111168 Float Plate Kit (Set of 4) with Pins, G2
	44	16103020 U-Bolt Kit
	45	16101120 Pivot Bolt Kit with Grease Fitting
	46	16101140 Angle Stop Bolt
	47	16102142 Clevis Pin Kit, 7/8in x 3-1/4in
	48	16154100 Cylinder, 1-1/2in x 12in Polypack
	49	16154216 Cylinder Gland Nut, 1-1/2in Polypack
	50	16151328 Connector, -6 JICM/-4 SAEM
	51	16151322 Elbow, -6 JICM/JIC Swivel
VXF2/VXX2 A-FRAME	52	16113204 A-Frame, VXF2, RapidLink
		16113206 A-Frame, VXX2, RapidLink
	53	16113212 Angle Stop with HDW, VXF2, RapidLink
		16113214 Angle Stop with HDW, VXX2, RapidLink
	54	16101170 Hinge Pin Kit, VXF2
		16101172 Hinge Pin Kit, VXX2
	55	16113260 Hinge Cover Kit, VXF2
		16113264 Hinge Cover Kit, VXX2
	56	16154300B Cylinder, 1-1/2in x 1-3/4in x 12in
		16154302 Seal Kit, 16154300
	57	16152346 Elbow, -6 JICM/SAEM
	58	16153110 Hose, 3/8in x 36in, -6 JIC
59	16153120 Hose, 3/8in x 48in, -6 JIC	
60	16111148 Bracket Kit, Hose, VXF2	
61	16151324 Connector, -6 JICM/SAEM	
62	16111190 Block, Pivot Bearing Kit (Set of 2) with Pins, VXX2	
XP2 A-FRAME	63	16111208 A-Frame, XP2, RapidLink
	64	16153132 Hose, 3/8in x 66in, -6 JIC
CM2 A-FRAME	65	16114202 A-Frame, CM2, RapidLink
	66	16114220 Retainer, CM
	67	16101515 Grease Fitting, Press
	68	16101036 Hardware Kit, CM Sector Retainer
	69	16154140 Cylinder, Angle, 2in x 12in, CM
	16154206 Cylinder Gland Nut, 2in Polypack	

HDII/EXII/TEII/VXFII/VXXII/CMII/XPII/MXII/VMXII SERIES

with **RAPIDLINK™**
REPLACEMENT PARTS



HYDRAULIC and ELECTRICAL



	ITEM	PART NO.	DESCRIPTION	
HYDRAULIC	ACC	16150010	Hydraulic Fluid, Low Temp, 1 Case (12 QTS)	
	STRAIGHT BLADE	1	16151000	HPU, Straight
		2	16151200A	Motor, SnowDogg, Sealed
		3	16151112	Plug, 3/8in NPT
		4	16151110	Reservoir Kit, Straight
		5	16151114	Reservoir Fastener Kit (4 Screws & 8 Washers)
		6	16159114	Reservoir Seal Kit
		7	16151102	Inlet Strainer with Elbow
		8	16151100	Gear Pump
		9	16159116	Shaft Seal
		10	16151106	Spline Coupler, Straight
		11	16152016	Plug, -2 SAE
		12	16151306	Angle Lock Valve
	VEE BLADE	13	16151312	Vent
		14	16151312	Solenoid Valve, 2-way, Normally Closed
		15	16159102	Seal Kit, 16151312/16151330
		16	16159103	Screen, 16151312
		17	16151314	Solenoid Valve, 3-way, Selector
		18	16159104	Seal Kit, 16151314
		19	16151316	Solenoid Valve, 4-way, Reversing
		20	16159106	Seal Kit, 16151316
		21	16151318	Coil, 8 Size, Dual Spade
		22	16151308	Lift Check Valve
		23	16900010	Lift Check Valve Removal Tool
XP		24	16151320	Connector, -4 BSPP/JICM
	25	16151321	Elbow, -4 JICM/JIC Swivel	
	26	16151310	Lowering Speed Valve	
	27	16151302	Main Relief Valve	
	28	16151324	Connector, -6 JICM/SAEM	
	29	16151322	Elbow, -6 JICM/JIC Swivel	
	30	16151304	Crossover Relief Valve, 2800PSI	
	31	16152000B	HPU, Vee	
	32	16151116	Relief Plug, Reservoir, 12PSI	
	33	16151118	Reservoir Kit, XP/Vee	
	34	16152004	Spline Coupler, Vee	
	35	16152332	Plug, 1/4 BSPP	
VEE BLADE	36	16151325	Connector, -4 SAEM/JICM	
	37	16152018	Plug, -4 SAE	
	38	16152330	Check Valve	
	39	16152040	Top Block Assembly, Vee	
	40	16152104	Top Block O-Ring/Fastener Kit	
	41	16152334	Angle Relief Valve, 3000PSI	
	42	16151330	Solenoid Valve, 2-way, Normally Open	
	43	16159102	Seal Kit, 16151312/16151330	
	44	16152340	Solenoid Valve, 2-way, Normally Closed	
	45	16159109	Seal Kit, 16152340	
	46	16152336	Coil, 8 Size, Flying Leads	
	47	16152342	Coil, 10 Size, Dual Spade	
XP PLOW	48	16152346	Elbow, -6 JICM/SAEM	
	49	16153000	HPU, XP	
	50	16152050	Top Block Assembly, XP	
	51	16151336	Differential Relief Valve, 1700PSI	
	52	16151332	Solenoid Valve, 4-way, Normally Closed	
	53	16151334	Solenoid Valve, 4-way, 3-pos, Normally Closed	
	STRAIGHT BLADE	54	16160400	Plowside Control Harness, Straight Blade
		55	16160402	Large Spring Cage Kit (Set of 2)
		56	16160405	Small Spring Cage Kit (Set of 20)
		57	16160601B	Controller, Straight Blade G2
		58	16160632	Keypad, 16160601
		59	16160642B	Circuit Board, 16160601
60		16160622	Mount Kit, 1616*601	
61		16160652	Harness, 1616*601	
VEE BLADE		62	16160400B	Plowside Control Harness, Vee Blade
		63	16160402	Large Spring Cage Kit (Set of 2)
		64	16160405	Small Spring Cage Kit (Set of 20)
		65	16161420B	Ground Harness, 16161400B
	66	16161430	S8 Harness, 16161400B	
	67	16160448	Relay Module	
	68	16161601B	Controller, Vee Blade G2	
	69	16161632	Keypad, 16161601, 16162601	
	70	16161642B	Circuit Board, 16161601	
	71	16160622	Mount Kit, 1616*601	
	72	16160652	Harness, 1616*601	
	HARNESSES	73	16162400	Plowside Control Harness, XP
74		16160402	Large Spring Cage Kit (Set of 2)	
75		16160405	Small Spring Cage Kit (Set of 20)	
76		16162601B	Controller, XP G2	
77		16161632	Keypad, 16161601, 16162601	
78		16162642B	Circuit Board, 16162601	
79		16160622	Mount Kit, 1616*601	
80		16160652	Harness, 1616*601	
81		16160510A	Harness Plug	
82		16160512A	Harness Cap	
83		16160104	Grill to Relay Harness	
84		16160405	Small Spring Cage Kit (Set of 20)	
85	16160500	Battery Cable		
86	16160450	Jack Switch		
87	16160302	Truckside Control Harness, G2		
88	16160310	Repair End, 16160300		
89	16160102	Main Relay Harness		
90	16160114	Headlight Module Relay		
91	16160112	Repair End, 8 Pin, 16160100		
92	16160116	Relay Module Mounting Plate		
93	16160410	Motor Relay		
94	16160250	Plowside Light Harness, G2		
95	16160515	Retainer Kit, 4 Pcs, SnowDogg		
ILLUMINATOR™ LED LIGHTS	96	16160800	SnowDogg Illuminator LED Plow Lights	
	97	16160810	Light, Driver Side, 16160800	
	98	16160820	Light, Passenger Side, 16160800	
	99	16160842	Module, Heater, 16160800	
	100	16160844	Bulb, Heater Module, 16160800	
	101	16160738	Light Harness Repair Pigtail	
	102	16160830	Light Mounting HDW Kit, 16160800 (1 Light)	
	HX HALOGEN LIGHTS	103	16160700A	SnowDogg HX High Intensity Halogen Lights
		104	16160710A	Light, DS (Part of 16160700A) 19+
		105	16160712A	Housing, DS Halogen Light
		106	16160720A	Light, PS (Part of 16160700A) 19+
		107	16160722A	Housing, PS Halogen Light
108		16160732	Halogen Light Housing Gasket	
109		16160734	Halogen Light Harness, Internal	
110		16160736	Harness Clamp with HDW, 16160700A	
111		16160740	Bulb, H1 High Beam	
112		16160742A	Bulb, H7 Low Beam, Night Breaker	
113		16160744	Bulb, Park/Turn, Amber	
114		16160738	Light Harness Repair Pigtail	
115	16160730B	Halogen Light Mounting Hardware Kit (1 Light)		
LOW PROFILE LED LIGHTS	116	16160900	SnowDogg Low Profile LED Lights with Flashers	
	117	16160910	Light, Driver Side, 16160900	
	118	16160920	Light, Passenger Side, 16160900	
	119	16160738	Light Harness Repair Pigtail	
	120	16160930	Mounting Bracket & HDW, 16160900 (1 Light)	
	121	16160930	Mounting Bracket & HDW, 16160900 (1 Light)	

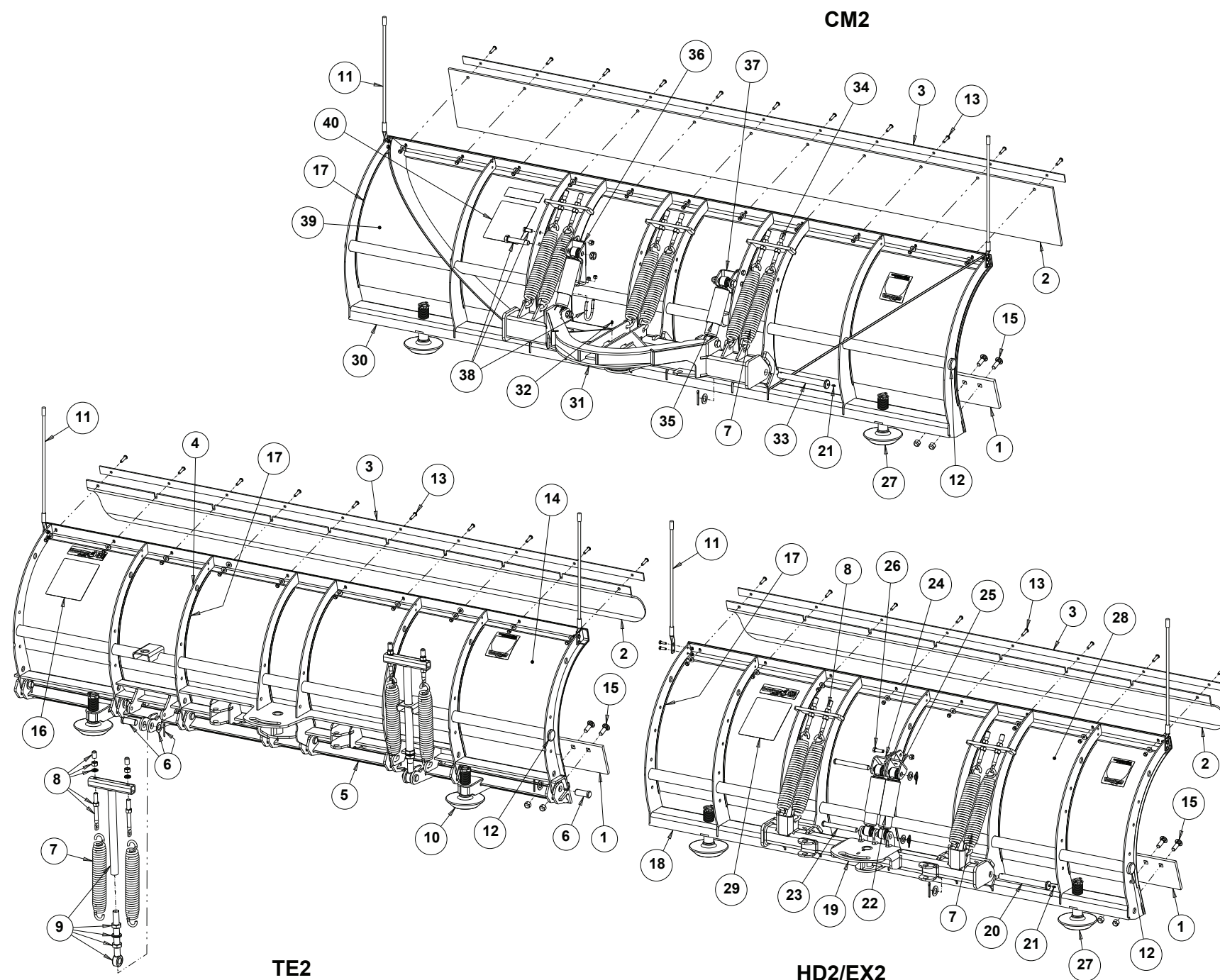
HDII/EXII/TEII/CMII SERIES

with *RAPIDLINK™*

REPLACEMENT PARTS



MOLDBOARD



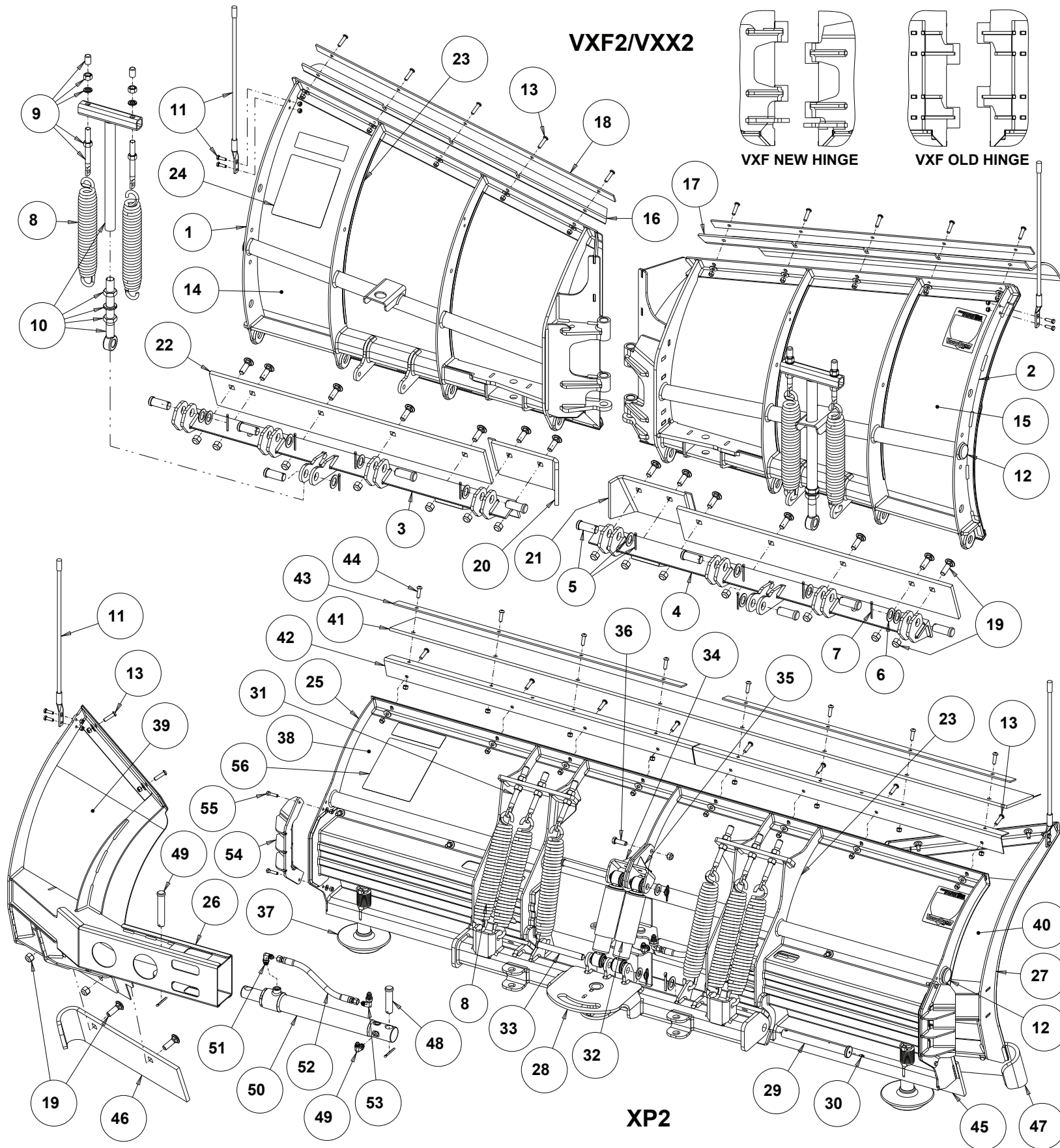
ITEM	PART NO.	DESCRIPTION
	16020312	TE75-2 Moldboard
	16020322	TE80-2 Moldboard
	16020342	TE90-2 Moldboard
	16020522	HD75-2 Moldboard
	16020532	HD80-2 Moldboard
	16020612	EX75-2 Moldboard
	16020622	EX80-2 Moldboard
	16020632	EX85-2 Moldboard
	16020642	EX90-2 Moldboard
	16020812	CM90-2 Moldboard
	16020822	CM100-2 Moldboard
	16020832	CM110-2 Moldboard
ACC	16021310	Wing Kit, TE (DS and PS)
ACC	16021510	Wing Kit, HD (DS and PS)
ACC	16021610	Wing Kit, EX (DS and PS)
ACC	16124020	Edge, Back Drag, 90in
ACC	16124030	Edge, Back Drag, 96in
ACC	16124040	Edge, Back Drag, 102in
ACC	16124050	Edge, Back Drag, 108in
	16120520	Cutting Edge, 90in x 3/8in
	16120610	Cutting Edge, 90in x 1/2in
	16120710	Cutting Edge, 90in Rubber
	16120530	Cutting Edge, 96in x 3/8in
	16120620	Cutting Edge, 96in x 1/2in
	16120720	Cutting Edge, 96in Rubber
1	16120630	Cutting Edge, 102in x 1/2in
	16120730	Cutting Edge, 102in Rubber
	16120640	Cutting Edge, 108in x 1/2in
	16120660	Cutting Edge, 108in x 5/8in
	16120740	Cutting Edge, 108in Rubber
	16120662	Cutting Edge, 120in x 5/8in
	16120664	Cutting Edge, 132in x 5/8in
	16121158	Deflector, 90in Poly
	16120157	Deflector, 90in Rubber
	16120158	Deflector, 96in Poly
	16120159	Deflector, 96in Rubber
	16120160	Deflector, 102in Poly
	16120161	Deflector, 102in Rubber
	16120162	Deflector, 108in Poly
	16120163	Deflector, 108in Rubber
	16120164	Deflector, 120in Rubber
	16120165	Deflector, 132in Rubber
	16120256	Clamp Strip, 90in
	16120258	Clamp Strip, 96in
	16120260	Clamp Strip, 102in
	16120262	Clamp Strip, 108in
	16120264	Clamp Strip, 120in
	16360207	Clamp Strip, 132in
	16122300	Frame, Moldboard, TE75
4	16122302	Frame, Moldboard, TE80
	16122310	Frame, Moldboard, TE90
	16122304	Trip Angle, TE75
5	16122306	Trip Angle, TE80
	16122312	Trip Angle, TE90
6	16102144	Clevis Pin Kit, 1in x 2-3/8in

ITEM	PART NO.	DESCRIPTION
	7	16101200 Trip Spring
	8	16101210 Spring Mount Eye Bolt Kit (Set of 4)
	9	16120190 Trip Spring T-Bar Kit
	10	16121700 Shoe Assembly, TE2
	11	16122100 Blade Guide Kit
	12	16120120 Crosstube Cap
	13	16120110 Moldboard Skin Hardware Kit (Set of 14)
		16121612 Skin, TE75, SST
	14	16121614 Skin, TE80, SST
		16121618 Skin, TE90, SST
	15	16120114 Cutting Edge Hdw Kit, 5/8in-11 (Set of 16)
	16	16121602 TE2 Moldboard Decal Kit (Front and Rear)
	17	16101262 Edge Guard Kit, HD/EX/TE/CM
		16122350 Frame, Moldboard, HD75
		16122352 Frame, Moldboard, HD80
18		16122354 Frame, Moldboard, EX75
		16122356 Frame, Moldboard, EX80
		16122358 Frame, Moldboard, EX85
		16122360 Frame, Moldboard, EX90
	19	16111304 Sector, HD/EX
	20	16101100 Trip Pin Kit (Set of 2)
	21	16101516 Grease Fitting, 1/4-28 Threaded
	22	16101500 Shock Kit, HD/EX Plow
		16101502 Shock Absorber
	23	16101504 Clevis Pin Kit, 3/4in x 6-1/2in
		16101248 Cotter Pin, Locking, 3/4in
	24	16101508 Shock Mount Bracket, DS, HD/EX
	25	16101506 Shock Mount Bracket, PS, HD/EX
	26	16101510 Shock Mount Bracket Hardware (Set of 2)
	27	16121100 Shoe Assembly, HD2/EX2/CM2
		16121520 Skin, HD75, SST
		16121530 Skin, HD80, SST
28		16121610 Skin, EX75, SST
		16121620 Skin, EX80, SST
		16121630 Skin, EX85, SST
		16121640 Skin, EX90, SST
	29	16121502 HD2 Moldboard Decal Kit (Front and Rear)
		16121604 EX2 Moldboard Decal Kit (Front and Rear)
		16122368 Frame, Moldboard, CM90
	30	16122370 Frame, Moldboard, CM100
		16122372 Frame, Moldboard, CM110
	31	16114300 Sector, CM
	32	16101515 Grease Fitting, Press
	33	16101130 Trip Pin Kit (Set of 3)
	34	16101230 Spring Mount Eye Bolt Kit (Set of 6)
	35	16101560 Shock Kit, CM Plow
		16101502 Shock Absorber
	36	16101564 Shock Mount Bracket, DS, HD/EX
	37	16101562 Shock Mount Bracket, PS, HD/EX
	38	16101560HDW Shock Mount Hardware Kit, CM (DS and PS)
		16121818 Skin, CM90, SST
39		16121820 Skin, CM100, SST
		16121822 Skin, CM110, SST
	40	16121802 CM2 Moldboard Decal Kit (Front and Rear)

VXFII/VXXII/XPII SERIES

with *RAPIDLINK™*

REPLACEMENT PARTS



MOLDBOARD

ITEM	PART NO.	DESCRIPTION
	16020724	VXF85-2 Moldboard
	16020734	VXF95-2 Moldboard
	16021744	VXX105-2 Moldboard
	16020922	XP810-2 Moldboard
ACC	16021712	Wing Kit, VXF (DS and PS)
ACC	16120180	Deflector Kit, VXF, Rubber with Center Cover
ACC	16120171	Deflector, VXF85, Rubber
ACC	16120173	Deflector, VXF95, Rubber
ACC	16021750	Shoe Kit, VXF
ACC	16021770	Shoe Kit, VXX
ACC	16121704	Shoe Bracket, VXF
ACC	16121705	Shoe Bracket, VXX
ACC	16121700	Shoe Assy Only, VXF/VXX
	16123023	VXF85-2 Moldboard Assy, DS Only
	16123022	VXF85-2 Moldboard Assy, PS Only
	16123013	VXF95-2 Moldboard Assy, DS Only
	16123012	VXF95-2 Moldboard Assy, PS Only
1	16123030	VXX105-2 Moldboard Assy, DS Only
	16122204	Moldboard Frame, DS, VXF85
	16122201	Moldboard Frame, DS, VXF95
	16122206	Moldboard Frame, DS, VXF95
	16122203	Moldboard Frame, DS, VXX105
	16122205	Moldboard Frame, DS, VXX105
	16123025	VXF85-2 Moldboard Assy, PS Only
	16123024	VXF95-2 Moldboard Assy, PS Only
	16123015	VXF95-2 Moldboard Assy, PS Only
	16123014	VXX105-2 Moldboard Assy, PS Only
2	16122214	Moldboard Frame, PS, VXF85
	16122211	Moldboard Frame, PS, VXF95
	16122207	Moldboard Frame, PS, VXF95
	16122213	Moldboard Frame, PS, VXX105
	16122215	Moldboard Frame, PS, VXX105
	16122230	Trip Angle, DS, VXF85
3	16122240	Trip Angle, DS, VXF95
	16122244	Trip Angle, DS, VXX105
	16122232	Trip Angle, PS, VXF85
4	16122242	Trip Angle, PS, VXF95
	16122246	Trip Angle, PS, VXX105
5	16102144	Clevis Pin Kit, 1in x 2-3/8in
6	16102104	Washer, 1in
7	16102102	Cotter Pin, 3/16in x 2in
8	16101200	Trip Spring
9	16101210	Spring Mount Eye Bolt Kit (Set of 4)
10	16120190	Trip Spring T-Bar Kit
11	16122100	Blade Guide Kit
12	16120120	Crosstube Cap
13	16120110	Moldboard Skin Hardware Kit (Set of 14)
	16121721	Skin, DS, VXF85, SST
14	16121731	Skin, DS, VXF95, SST
	16121734	Skin, DS, VXX105, SST
	16121723	Skin, PS, VXF85, SST
15	16121733	Skin, PS, VXF95, SST
	16121736	Skin, PS, VXX105, SST
	16120170	Deflector, DS, VXF85, Poly
16	16120176	Deflector, DS, VXF95, Poly
	16120184	Deflector, DS, VXX105, Poly

ITEM	PART NO.	DESCRIPTION
	16120172	Deflector, PS, VXF85, Poly
17	16120178	Deflector, PS, VXF95, Poly
	16120186	Deflector, PS, VXX105, Poly
	16120270	Clamp Strip, VXF85
18	16120272	Clamp Strip, VXF95
	16120274	Clamp Strip, VXX105
19	16120114	Cutting Edge Hdw Kit, 5/8in-11 (Set of 16)
20	16120840	Center Cutting Edge, DS, VXF/VXX
	16111192	Plate, Cutting Edge Spacer, VXX
21	16120850	Center Cutting Edge, PS, VXF/VXX
	16111192	Plate, Cutting Edge Spacer, VXX
	16120820	Cutting Edge, 40in x 1/2in, VXF85
22	16120830	Cutting Edge, 46in x 1/2in, VXF95
	16120870	Cutting Edge, 52in x 5/8in, VXX105
23	16101262	Edge Guard Kit, VXF/VXX/XP
24	16121702	VXF2 Moldboard Decal Set (Front and Rear)
	16121706	VXX2 Moldboard Decal Set (Front and Rear)
25	16122416	XP2 Center Moldboard Frame
26	16122422	DS Moldboard Wing Frame
27	16122432	PS Moldboard Wing Frame
28	16111302	XP2 Sector
29	16101100	Trip Pin Kit (Set of 2)
30	16101516	Grease Fitting, 1/4in-28 Threaded
31	16101230	Spring Mount Eye Bolt Kit (Set of 6)
32	16101550	Shock Kit, XP Plow
	16101502	Shock Absorber
33	16101504	Clevis Pin Kit, 3/4in x 6-1/2in
	16101248	Cotter Pin, Locking, 3/4in
34	16101554	Shock Mount Bracket, DS, XP
35	16101552	Shock Mount Bracket, PS, XP
36	16101510	Shock Mount Bracket Hardware (Set of 2)
37	16121100	Shoe Assembly
38	16121920	Skin, XP810 Center, SST
39	16121923	Skin, XP810 DS Wing, SST
40	16121925	Skin, XP810 PS Wing, SST
41	16120157	Deflector Only, Rubber, XP810
42	16122412	Deflector Bracket Kit w/ Clamp Strips & Hdw
43	16120266	Clamp Strip, XP810 (One Piece)
44	16122414	Deflector Hardware Kit (Set of 8)
45	16120920	Cutting Edge, 90in x 1/2in, XP810
46	16120940	Cutting Edge, DS Wing
47	16120950	Cutting Edge, PS Wing
48	16102142	Clevis Pin Kit, 7/8in x 3-1/4in
49	16102199	Clevis Pin Kit, 7/8in x 4-1/2in
50	16154300B	Cylinder, 1-1/2in x 1-3/4in x 12in
	16154302	Seal Kit, 16154300
51	16152346	Elbow, -6 JICM/SAEM
52	16153140	Hose, Wing Retract, 3/8in x 13in, -6 JIC
53	16151340	Elbow, Bulkhead, -6JICM
54	16122440	Wing Stop Kit, XP, One Side
55	16122444	Hardware Kit, Wing Stop, XP
56	16121902	XP2 Moldboard Decal Kit (Front and Rear)